

SHIP CONSTRUCTION

1. List the factors that influence a vessel's design.

2. In the attached transverse section of a metal hull, show the location of the following:

deck beam

bracket

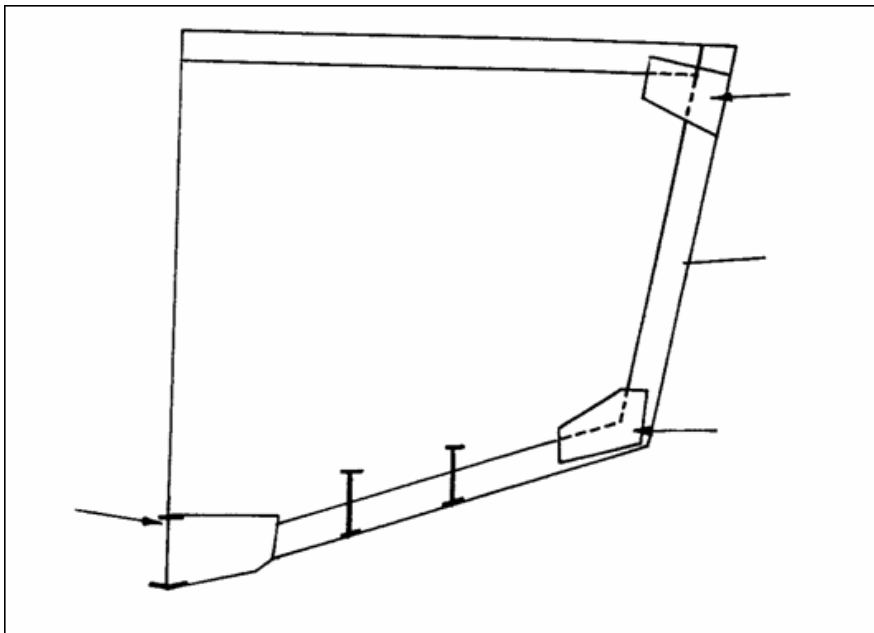
side frame

chine bracket

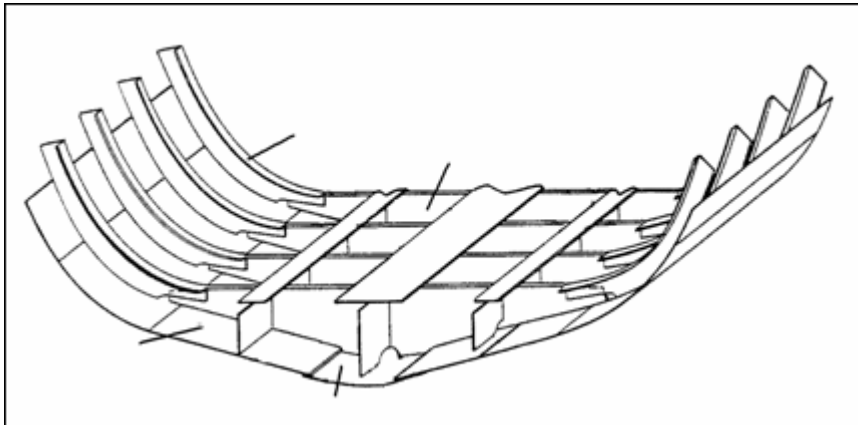
floor

side girder

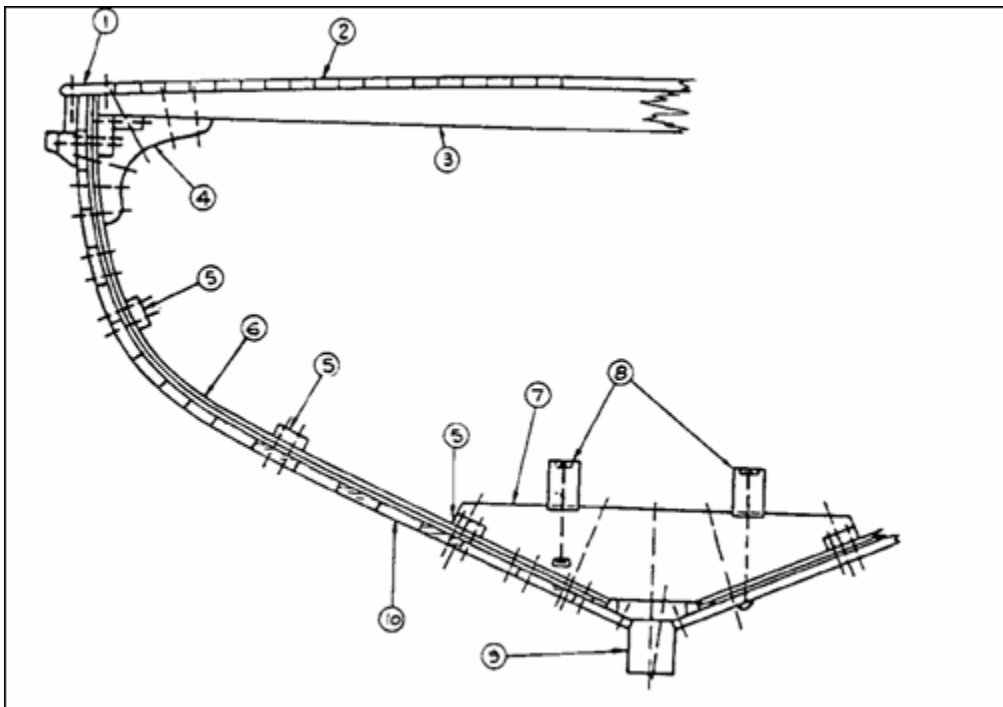
keelson



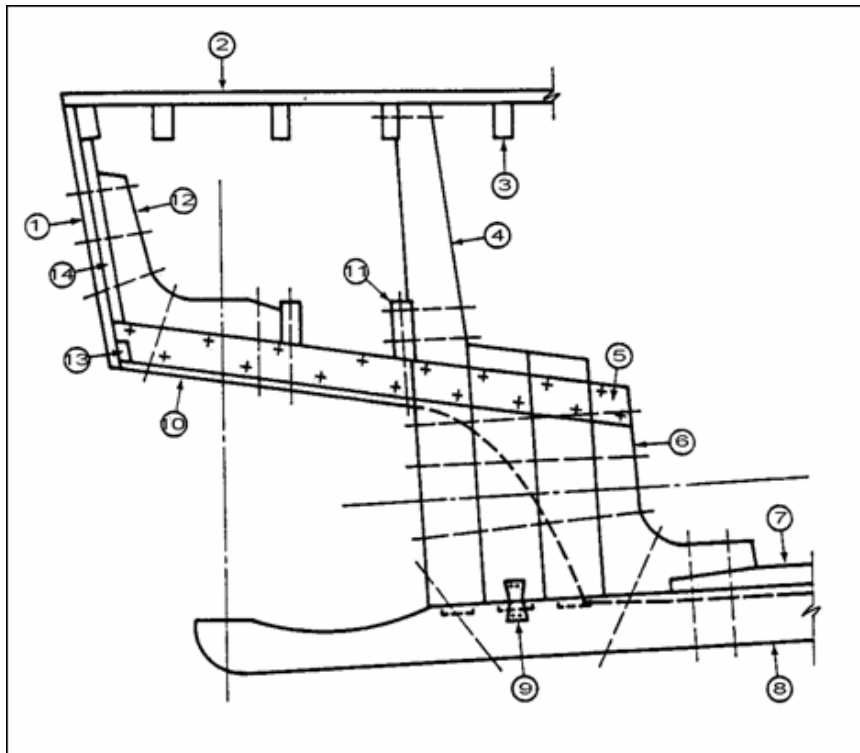
3. In the attached figure label the parts indicated by (——)



4. In the following sketch of a transverse section through a timber hull, name the numbered parts.



5. In the following sketch of a typical deadwood aft, name the numbered parts.



6. In the following sketch of a typical stem assembly of a timber vessel, name the numbered parts.

